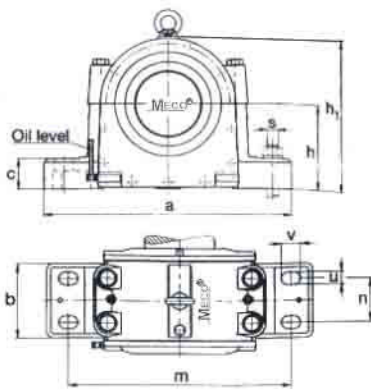
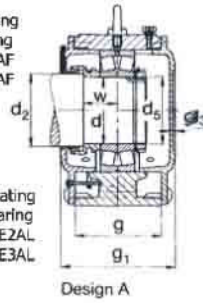


"MECO" Plummer Block Housing
spilt - series LOE2

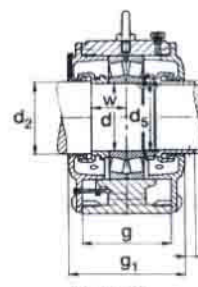


Locating
Bearing
LOE2AF
LOE3AF



Floating
Bearing
LOE2AL
LOE3AL

Design A



Locating
Bearing
LOE2BF
LOE3BF

Floating
Bearing
LOE2BL
LOE3BL

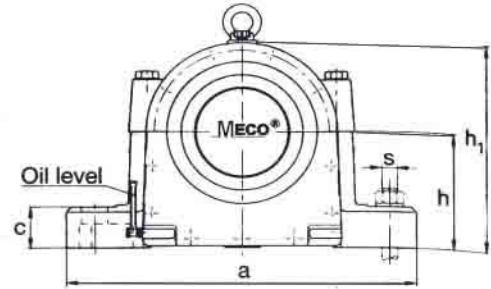
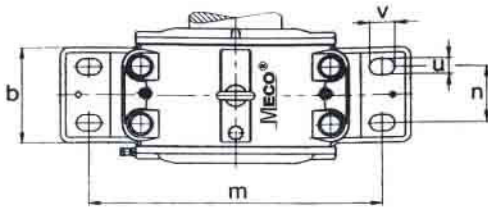
Design B

Housing - Bearing - Accessories

Bearing	Designation	Shaft diameter mm			Housing Dimension (mm)										
		d	d ₂	d ₄	a	b	c	h	g	g ₁	m	n	s	u	v
22214	LOE 214	70	75	67	350	110	45	125	120	190	290	60	M16	20	30
22215	LOE 215	75	80	72	350	110	45	125	120	190	290	60	M16	20	30
22216	LOE 216	80	85	77	410	150	48	135	160	225	340	80	M20	25	35
22217	LOE 217	85	90	82	410	150	48	135	160	225	340	80	M20	25	35
22218	LOE 218	90	95	87	410	150	48	135	160	225	340	80	M20	25	35
22219	LOE 219	95	100	92	490	160	50	150	170	250	400	80	M24	30	45
22220	LOE 220	100	110	97	490	160	50	150	170	250	400	80	M24	30	45
22222	LOE 222	110	116	107	510	165	50	165	175	250	420	80	M24	30	45
22224	LOE 224	120	126	117	550	165	55	175	175	250	440	80	M30	36	50
22226	LOE 226	130	136	127	570	175	65	190	185	260	460	90	M30	36	50
22228	LOE 228	140	150	137	570	175	65	190	180	260	460	100	M30	36	50
22230	LOE 230	150	156	147	660	190	70	220	200	275	530	100	M36	42	60
22232	LOE 232	160	170	155	660	200	70	220	210	290	530	110	M36	42	60
22234	LOE 234	170	180	165	710	200	85	260	210	300	580	110	M36	42	60
22236	LOE 236	180	190	175	710	200	85	260	210	300	580	110	M36	42	60
22238	LOE 238	190	196	185	820	240	90	270	250	350	670	130	M42	48	70
22240	LOE 240	200	210	195	830	240	90	280	260	360	670	130	M42	48	70
22244	LOE 244	220	230	212	880	240	105	310	280	380	720	130	M42	48	70
22248	LOE 248	240	260	235	980	280	120	340	300	400	820	165	M42	48	70

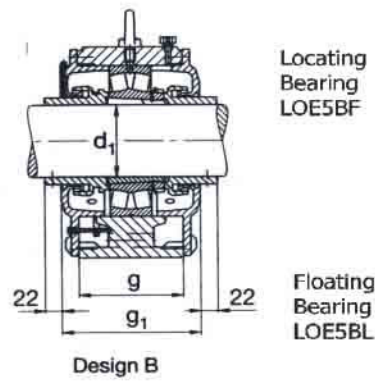
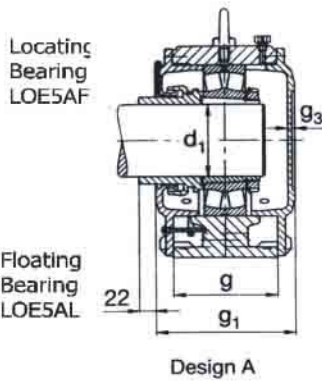
"MECO" Plummer Block Housing split - series LOE3, LOE5

Housing - Bearing - Accessories



Bearing	Designation	Shaft diameter mm			Housing Dimension (mm)										
		d	d ₂	d ₄	a	b	c	h	g	g ₁	m	n	s	u	v
22310	LOE 310	50	55	47	350	125	40	115	135	210	290	75	M16	20	30
22312	LOE 312	60	65	57	370	130	45	125	140	220	310	80	M16	20	30
22314	LOE 314	70	75	67	410	150	48	135	160	225	340	80	M20	25	35
22316	LOE 316	80	85	77	490	160	50	150	170	250	400	80	M24	30	45
22318	LOE 318	90	95	87	500	165	55	175	175	250	420	80	M24	30	45
22320	LOE 320	100	106	97	550	165	55	175	175	250	440	80	M30	36	50
22322	LOE 322	110	120	107	570	180	65	180	190	270	460	95	M30	36	50
22324	LOE 324	120	126	117	660	200	75	220	210	300	530	110	M36	42	60
22326	LOE 326	130	140	127	660	200	80	235	220	315	530	110	M36	42	60
22328	LOE 328	140	146	137	710	220	85	260	230	325	580	125	M36	42	60
22330	LOE 330	150	160	147	760	200	85	265	240	335	630	125	M36	42	60
22332	LOE 332	160	166	155	820	240	90	270	250	350	670	130	M42	48	70
22334	LOE 334	170	180	165	830	240	90	280	255	350	670	130	M42	48	70
22336	LOE 336	180	190	175	840	240	90	290	260	360	680	130	M42	48	70

"MECO" Plummer Block Housing split - series LOE5 for bearing with tapered bore and adapter sleeves



Housing - Bearing - Accessories

Bearing	Designation	Shaft diameter (mm)			Housing Dimension (mm)										
		d ₁	a	b	c	g	g	h	m	n	s	u	v		
22220ESK	LOE 520	90	490	160	50	170	272	150	400	80	M24	30	45		
22222ESK	LOE 522	100	510	165	50	175	272	165	420	80	M24	30	45		
22224ESK	LOE 524	110	550	165	55	175	272	175	440	80	M30	36	50		
22228ESK	LOE 528	125	570	175	65	180	282	190	460	100	M30	36	50		
22230ESK	LOE 530	135	660	190	70	200	297	220	530	100	M36	42	60		