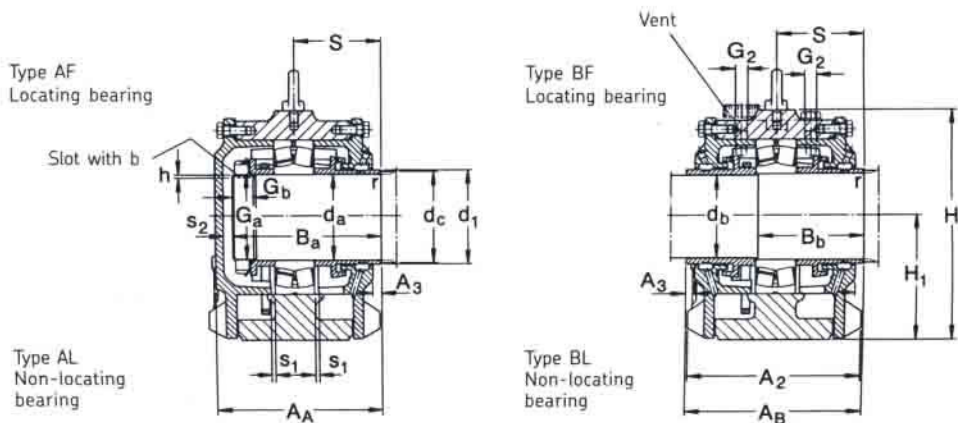
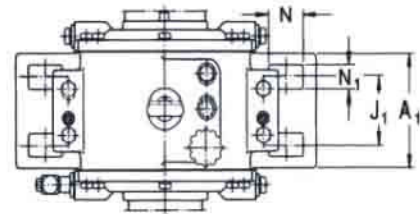
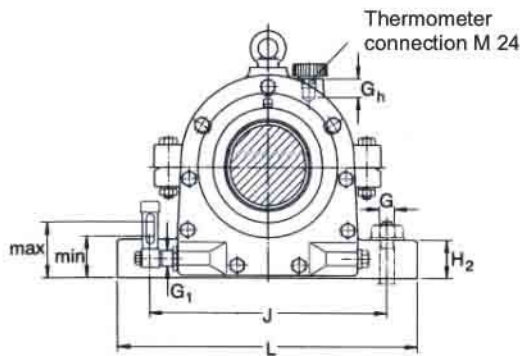


(SOFN Plummer Block Housing for Spherical roller bearing with cylindrical bore)

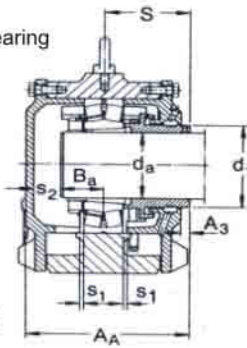


Shaft Dia-meter $d_a$ (mm)	Housing Dimension																Designation Housing of gray cast iron				
	$A_A$	$A_B$	$A_1$	$A_2$	$A_3$	G	$G_h$	H	$H_1$	$H_2$	J	$J_1$	L	N	$N_1$	S		$d_1$	$s_1$	$G_1$	$G_2$
50	142.5	150	92	145	7.5	16	27	168	95	30	210	50	270	30	19	75	58	3	G1/4	G3/8	SOFN 310
55	147.5	155	95	148	7.5	16	27	180	100	30	233	50	290	33	19	77.5	65	3	G1/4	G3/8	SOFN 311
60	162.5	170	100	152	7.5	16	27	198	110	30	230	55	290	34	19	85	70	5	G1/4	G3/8	SOFN 312
70	172.5	180	110	182	7.5	20	27	230	125	35	260	60	330	40	24	90	80	5	G1/2	G3/8	SOFN 314
80	199	214	135	210	15	20	27	255	140	40	290	80	360	40	24	107	95	5	G1/2	G3/8	SOFN 316
85	172.5	180	110	182	7.5	20	27	230	125	35	260	60	330	40	24	90	96	5	G1/2	G3/8	SOFN 217
90	180	190	120	190	10	20	27	245	135	45	290	70	360	40	24	95	100	5	G1/2	G3/8	SOFN 218
	225	240	165	246	15	24	32	280	155	50	317	95	400	45	28	120	104	5	G1/2	G1/2	SOFN 318
95	192	200	135	210	8	20	27	255	140	40	290	80	360	40	24	100	105	5	G1/2	G3/8	SOFN 219
100	196	206	130	205	10	24	27	270	145	50	320	75	400	45	28	103	110	5	G1/2	G1/2	SOFN 220
	255	270	170	245	15	24	27	315	170	55	347	90	420	45	28	135	115	8	G1/2	G1/2	SOFN 320
110	216	229	145	216	13	24	27	290	160	50	347	75	420	45	28	114.5	120	5	G1/2	G1/2	SOFN 222
	270	290	190	265	20	30	33	355	190	65	415	100	500	45	35	145	130	8	G1/2	G3/4	SOFN 322
120	258	276	170	245	18	24	27	315	170	55	347	90	420	45	28	138	135	8	G1/2	G1/2	SOFN 224
	288.5	306	190	265	20.5	30	44	375	200	65	450	115	540	50	35	153	140	8	G1/2	G3/4	SOFN 324
130	255	270	180	260	15	24	32	335	180	60	377	100	450	45	28	135	145	8	G1/2	G1/2	SOFN 226
	300	320	205	285	20	30	38	405	215	65	470	120	560	50	35	160	150	8	G1/2	G3/4	SOFN 326
140	265	280	190	265	15	30	33	355	190	65	415	100	500	45	35	140	160	8	G1/2	G3/4	SOFN 228
	320	340	220	300	20	30	42	425	230	80	510	120	630	60	35	170	165	8	G1/2	G3/4	SOFN 328
150	265	280	190	265	15	30	44	375	200	65	450	115	540	50	35	140	170	8	G1/2	G3/4	SOFN 230
	335	350	240	320	15	30	44	455	245	75	545	150	650	65	35	175	175	10	G1/2	G3/4	SOFN 330
160	298	316	205	280	18	30	38	405	215	65	470	120	560	50	35	158	178	10	G1/2	G3/4	SOFN 232
	350	370	250	335	20	36	50	480	260	85	590	150	720	70	42	185	190	10	G1/2	G3/4	SOFN 332
170	330	350	230	310	20	30	46	440	235	70	515	130	610	55	35	175	195	10	G1/2	G3/4	SOFN 234
	358	378	260	350	20	36	44	510	275	85	600	160	730	70	42	189	197	12	G1/2	G3/4	SOFN 334
180	340	360	240	320	20	30	44	455	245	75	545	150	650	65	35	180	205	10	G1/2	G3/4	SOFN 236
	384.5	404	280	370	19.5	36	48	565	305	95	670	180	820	80	42	202	210	12	G1/2	G3/4	SOFN 336
190	350	370	250	335	20	36	50	480	260	85	590	150	720	70	42	185	220	12	G1/2	G3/4	SOFN 238
200	358	378	260	350	20	36	44	510	275	85	600	160	730	70	42	189	227	12	G1/2	G3/4	SOFN 240
220	384.5	404	280	370	19.5	36	48	565	305	95	670	180	820	80	42	202	255	12	G1/2	G3/4	SOFN 244
240	400	420	290	380	20	36	56	625	340	100	740	190	900	80	42	210	270	12	G1/2	G3/4	SOFN 248

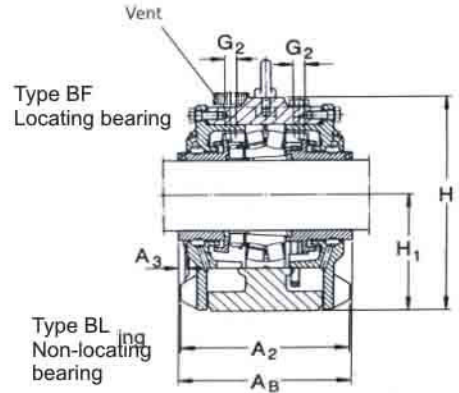


Appropriate bearing	Shaft abutment and fillet dimensions											Oil Qty.	Level			
	B <sub>a</sub>	B <sub>b</sub>	G <sub>a</sub>	G <sub>b</sub>	b	h	d <sub>c</sub>	d <sub>b</sub>	r	s <sub>2</sub>	max	max	min			
mm	Mm		mm											mm		
22310 CC/C3	128	92	M 50 X 1.5	18	7	3	56	49	1.6	8.5	0.3	53	33			
22311 E/C3	134	96	M 55 X 2	17	9	3	61	53	1.6	7.5	0.4	53	37			
22312 E/C3	147	105	M 60 X 2	17	9	3	66	58	1.6	7.5	0.5	60	40			
22314 E/C3	156	112	M 70 X 2	18	9	4	76	65	1.6	8.5	0.6	65	45			
22316 E/C3	181	133	M 80 X 2	22	11	4	86	78	1.6	8	1.0	73	45			
22217 E/C3	150	105	M 85 X 2	22	11	4	91	83	1.6	14.5	0.7	63	42			
22218 E/C3	161	112	M 90 X 2	23	11	4	96	88	1.6	11	0.8	68	45			
22318 E/C3	198	148	M 90 X 2	22	11	4	96	88	1.6	17	1.4	80	55			
22219 E/C3	171	118	M 95 X 2	24	11	4	101	93	1.6	11	0.9	70	50			
22220 E/C3	177	123	M 100 X 2	25	13	4	106	98	1.6	9	1.0	70	50			
22320 E/C3	226	168	M 100 X 2	27	13	4	108	98	2.5	19	1.8	85	57			
22222 E/C3	192	138	M 110 X 2	26	13	5	116	108	1.6	14	1.3	77	50			
22322 E/C3	243	180	M 110 X 2	28	13	5	118	108	2.5	17	2.0	95	67			
22224 E/C3	225	164	M 120 X 2	28	15	6	126	118	1.6	23	1.7	80	60			
22324CC/C3W33	254	192	M 120 X 2	28	15	6	128	118	2.5	19	2.8	100	65			
22226 E/C3	226	164	M 130 X 2	30	15	6	138	128	2.5	19	2.3	85	60			
22326CC/C3W33	265	202	M 130 X 2	30	15	6	140	128	3	26	3.4	105	70			
22228 E/C3	234	170	M 140 X 2	30	17	6	148	138	2.5	19	2.4	85	60			
22328CC/C3W33	287	215	M 140 X 2	30	17	6	150	138	3	21	4.2	115	70			
22230 E/C3	239	173	M 150 X 2	32	17	6	158	148	2.5	16	2.8	90	60			
22330CC/W33	292	225	M 150 X 2	33	17	6	168	148	6	31	6.0	120	75			
22232 E/C3	266	193	M 160 X 3	35	19	7	168	158	2.5	20	3.3	95	65			
22332CC/C3W33	315	240	M 160 X 3	36	19	7	178	158	6	20	6.5	125	80			
22234CCK/C3W33	290	213	M 170 X 3	37	19	7	180	168	3	28	5.0	105	75			
22334CC/C3W33	321	244	M 170 X 3	37	19	7	188	168	6	22	7.5	130	85			
22236CC/C3W33	296	218	M 180 X 3	38	21	7	196	177	5	32	5.2	115	80			
22336CC/C3W33	342	260	M 180 X 3	38	21	7	198	178	6	27	10.5	155	90			
22238CC/C3W33	317	226	M 190 X 3	39	21	7	208	188	6	18	5.8	120	85			
22240CC/C3W33	315	233	M 200 X 3	40	21	7	218	198	6	28	7.0	125	85			
22244CC/C3W33	342	251	Tr 220 X 4	44	25	8	238	218	6	27	8.5	140	95			
22248CC/C3W33	360	266	Tr 240 X 4	47	25	8	258	238	6	25	9.5	155	110			

Type AF  
Locating bearing



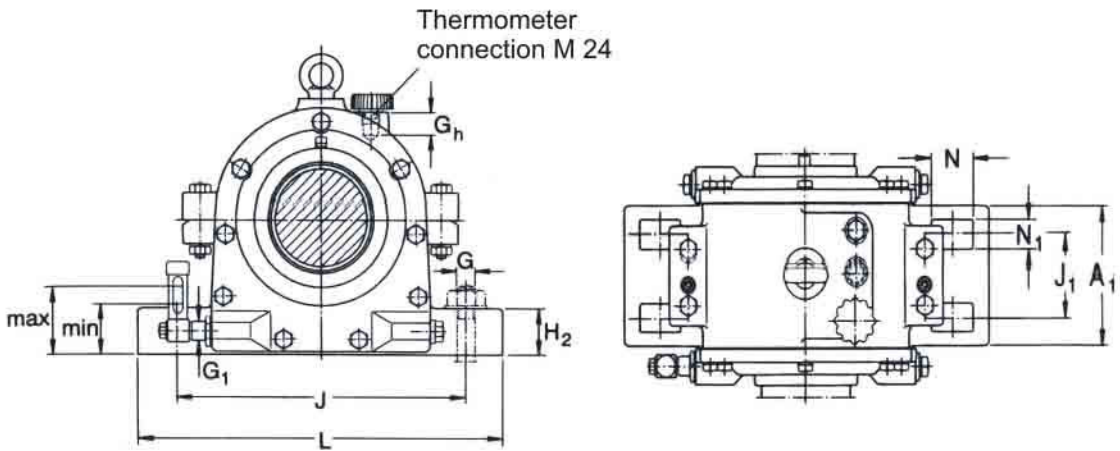
Type AL  
Non-locating bearing



Type BL  
Non-locating bearing

( SOFN Plummer Block Housing for Spherical bearing with adapter sleeve )

Shaft diameter $d_a$ mm	Shaft abutment and fillet dimensions																	Designation Housing of gray cast iron			
	$A_A$	$A_B$	$A_1$	$A_2$	$A_3$	G	$G_b$	H	$H_1$	$H_2$	J	$J_1$	L	N	$N_1$	S	$d_1$		$s_1$	$G_1^1$	$G_2$
45	142.5	150	92	145	7.5	16	27	168	95	30	210	50	270	30	19	75	58	3	G1/4	G3/8	SOFN 610
50	147.5	155	95	148	7.5	16	27	180	100	30	233	50	290	33	19	77.5	65	3	G1/4	G3/8	SOFN 611
55	162.5	170	100	152	7.5	16	27	198	110	30	230	55	290	34	19	85	70	5	G1/4	G3/8	SOFN 612
60	172.5	180	110	182	7.5	20	27	230	125	35	260	60	330	40	24	90	80	5	G1/2	G3/8	SOFN 614
70	199	214	135	210	15	20	27	255	140	40	290	80	360	40	24	107	95	5	G1/2	G3/8	SOFN 616
75	172.5	180	110	182	7.5	20	27	230	125	35	260	60	330	40	24	90	96	5	G1/2	G3/8	SOFN 517
80	180	190	120	190	10	20	27	245	135	45	290	70	360	40	24	95	100	5	G1/2	G3/8	SOFN 518
	225	240	165	246	15	24	32	280	155	50	317	95	400	45	28	120	104	5	G1/2	G1/2	SOFN 618
85	192	200	135	210	8	20	27	255	140	40	290	80	360	40	24	100	105	5	G1/2	G3/8	SOFN 519
90	196	206	130	205	10	24	27	270	145	50	320	75	400	45	28	103	112	5	G1/2	G1/2	SOFN 520
	255	270	170	245	15	24	27	315	170	55	347	90	420	45	28	135	115	8	G1/2	G1/2	SOFN 620
100	216	229	145	216	13	24	27	290	160	50	347	75	420	45	28	114.5	120	5	G1/2	G1/2	SOFN 522
	270	290	190	265	20	30	33	355	190	65	415	100	500	45	35	145	130	8	G1/2	G3/4	SOFN 622
110	258	276	170	245	18	24	27	315	170	55	347	90	420	45	28	138	135	8	G1/2	G1/2	SOFN 524
	285.5	306	190	265	20.5	30	44	375	200	65	450	115	540	50	35	153	140	8	G1/2	G3/4	SOFN 624
115	255	270	180	260	15	24	32	335	180	60	377	100	450	45	28	135	145	8	G1/2	G1/2	SOFN 526
	300	320	205	285	20	30	38	405	215	65	470	120	560	50	35	160	150	8	G1/2	G3/4	SOFN 626
125	265	280	190	265	15	30	33	355	190	65	415	100	500	45	35	140	160	8	G1/2	G3/4	SOFN 528
	320	340	220	300	20	30	42	425	230	80	510	120	630	60	35	170	165	8	G1/2	G3/4	SOFN 628
135	265	280	190	265	15	30	44	375	200	65	450	115	540	50	35	140	170	8	G1/2	G3/4	SOFN 530
	335	350	240	320	15	30	44	455	245	75	545	150	650	65	35	175	175	10	G1/2	G3/4	SOFN 630
140	298	316	205	280	18	30	38	405	215	65	470	120	560	50	35	158	178	10	G1/2	G3/4	SOFN 532
	350	370	250	335	20	36	50	480	260	85	590	150	720	70	42	185	190	10	G1/2	G3/4	SOFN 632
150	330	350	230	310	20	30	46	440	235	70	515	130	610	55	35	175	195	10	G1/2	G3/4	SOFN 534
	358	378	260	350	20	36	44	510	275	85	600	160	730	70	42	189	197	12	G1/2	G3/4	SOFN 634
160	340	360	240	320	20	30	44	455	245	75	545	150	650	65	35	180	205	10	G1/2	G3/4	SOFN 536
	384.5	404	280	370	19.5	36	48	565	305	95	670	180	820	80	42	202	210	12	G1/2	G3/4	SOFN 636
170	350	370	250	335	20	36	50	480	260	85	590	150	720	70	42	185	220	12	G1/2	G3/4	SOFN 538
180	358	378	260	350	20	36	44	510	275	85	600	160	730	70	42	189	227	12	G1/2	G3/4	SOFN 540
200	384.5	404	280	370	19.5	36	48	565	305	95	670	180	820	80	42	202	255	12	G1/2	G3/4	SOFN 544
220	400	420	290	380	20	36	56	625	340	100	740	190	900	80	42	210	270	12	G1/2	G3/4	SOFN 548



Other dimensions $B_a$	$S_2$ mm	Appropriate bearing	Adapter sleeve	Oil quantity		Level	
				max	min	max mm	min
36	25	22310CCK/C3	H 2310	0.3		53	33
37	27	22311EK/C3	H 2311	0.4		53	37
40	29	22312EK/C3	H 2312	0.5		60	40
43	31	22314EK/C3	H 2314	0.6		65	45
50	32	22316EK/C3	H 2316	1.0		73	45
40	34	22217EK/C3	H 317	0.7		63	42
42	35	22218EK/C3	H 318	0.8		68	45
54	41	22318EK/C3	H 2318	1.4		80	55
44	38	22219EK/C3	H 319	0.9		70	50
46	37	22220EK/C3	H 320	1.0		70	50
62	48	22320EK/C3	H 2320	1.8		85	57
52	36	22222EK/C3	H 322	1.3		77	50
66	49	22322EK/C3	H 2322	2.0		95	67
56	54	22224EK/C3	H 3124	1.7		80	60
70	50	22324EK/C3W33	H 2324	2.8		100	65
58	52	22226EK/C3	H 3126	2.3		85	60
75	53	22326CCK/C3W33	H 2326	3.4		105	70
63	51	22228CCK/C3W33	H 3128	2.4		85	60
80	58	22328CCK/C3W33	H 2328	4.2		115	70
66	49	22230CCK/C3W33	H 3130	2.8		90	60
85	63	22330CCK/C3W33	H 2330	6.0		120	75
90	60	22332CCK/C3W33	H 2332	6.5		125	80
73	55	22232CCK/C3W33	H 3132	3.3		95	65
77	65	22234CCK/C3W33	H 3134	5.0		105	75
94	60	22334CCK/C3W33	H 2334	7.5		130	85
78	70	22236CCK/C3W33	H 3136	5.2		115	80
98	69	22336CCK/C3W33	H 2336	10.5		155	90
82	68	22238CCK/C3W33	H 3138	5.8		120	85
86	69	22240CCK/C3W33	H 3140	7.0		125	85
95	72	22244CCK/C3W33	OH 3144HB	8.5		140	95
105	70	22248CCK/C3W33	OH 3148HB	9.5		155	110